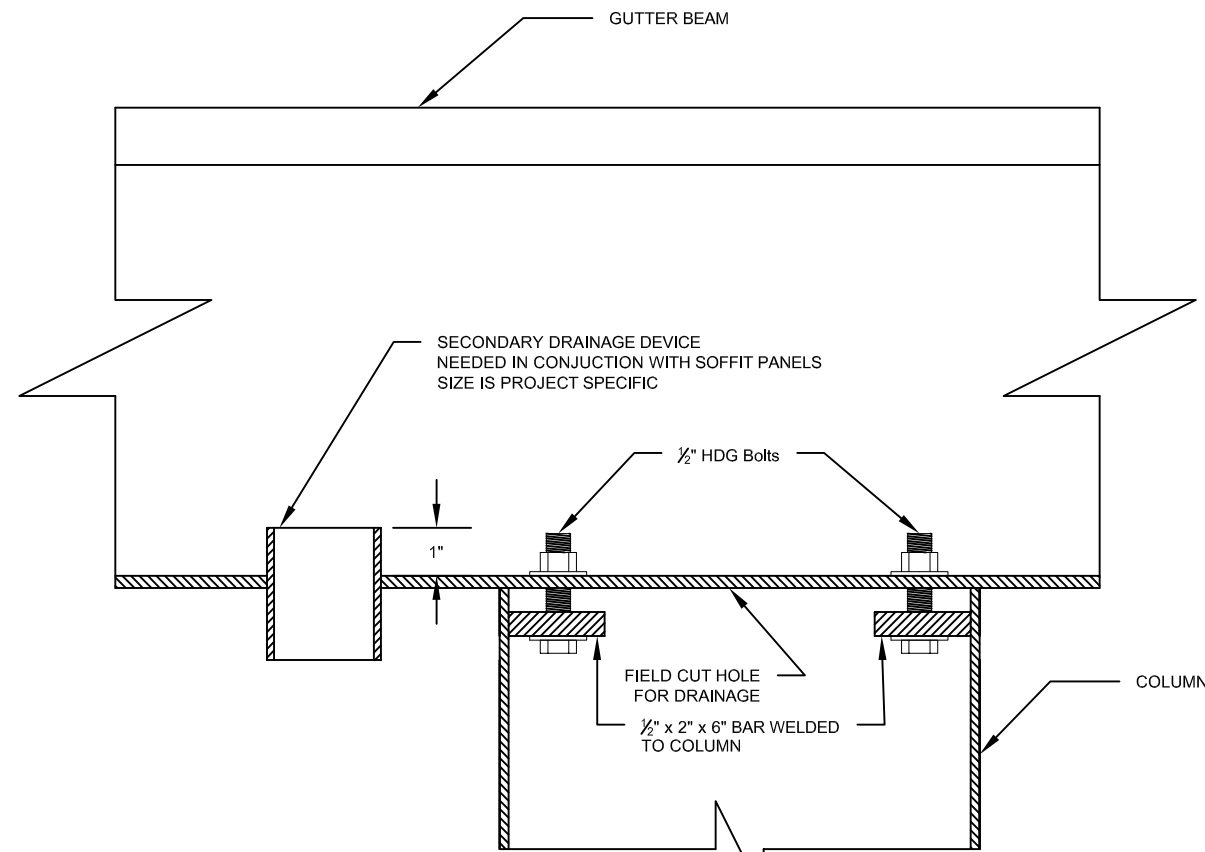
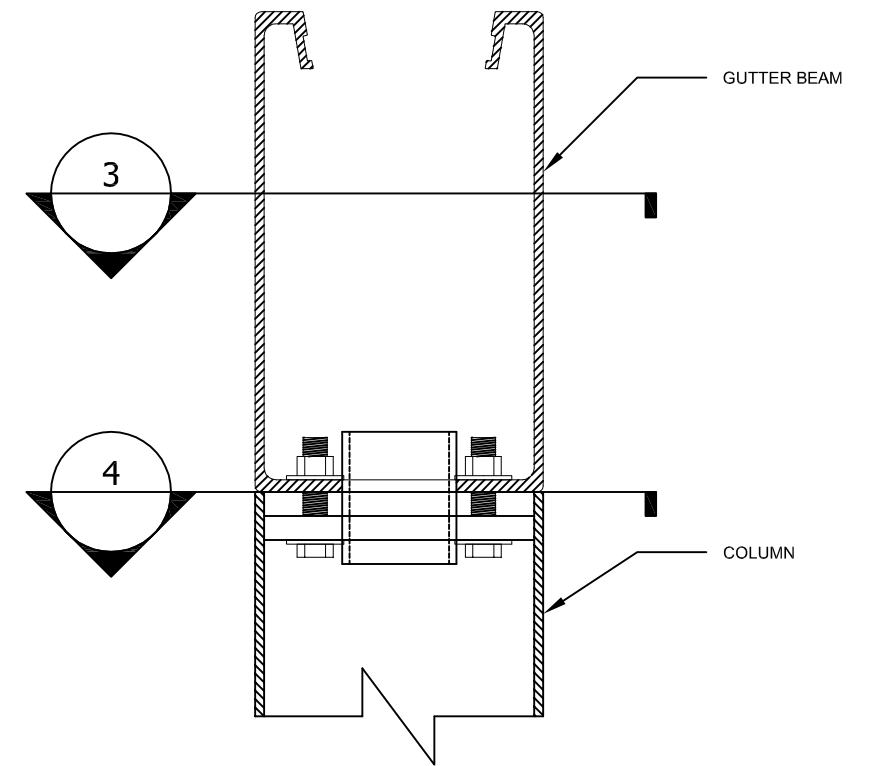


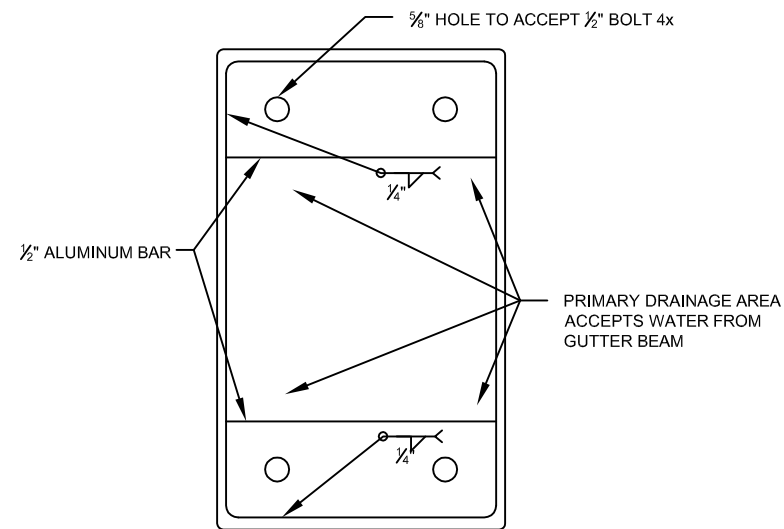
3 ELEVATION
Scale: 3"=1'



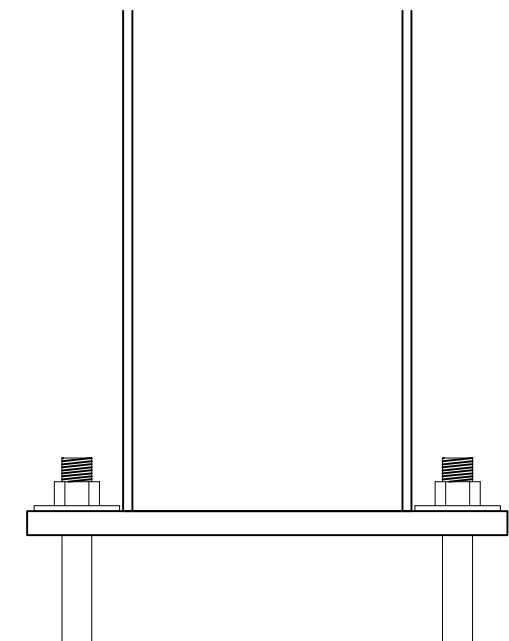
1 SECTION
Scale: 3"=1'



2 SECTION
Scale: 3"=1'



4 COLUMN SECTION PLAN VIEW
Scale: 3"=1'



5 COLUMN FOOTING
Scale: 3"=1'

DRAWN BY: Arnold Parker		DATE: 02/09/2010
SCALE: 3"-1'	JOB No.: 0000	REV:
TITLE: Concealed Connection		SHEET: 1

ALUMINUM TECHNIQUES, INC.
Quality Aluminum Fabricators Since 1982
13302 Redfish Lane
Stafford, TX 77477
(281) 499-9026