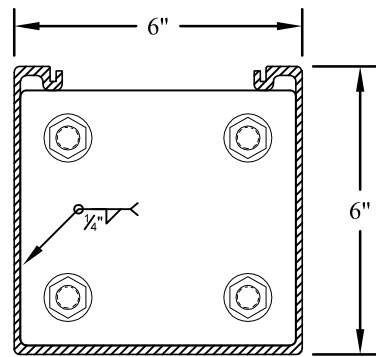
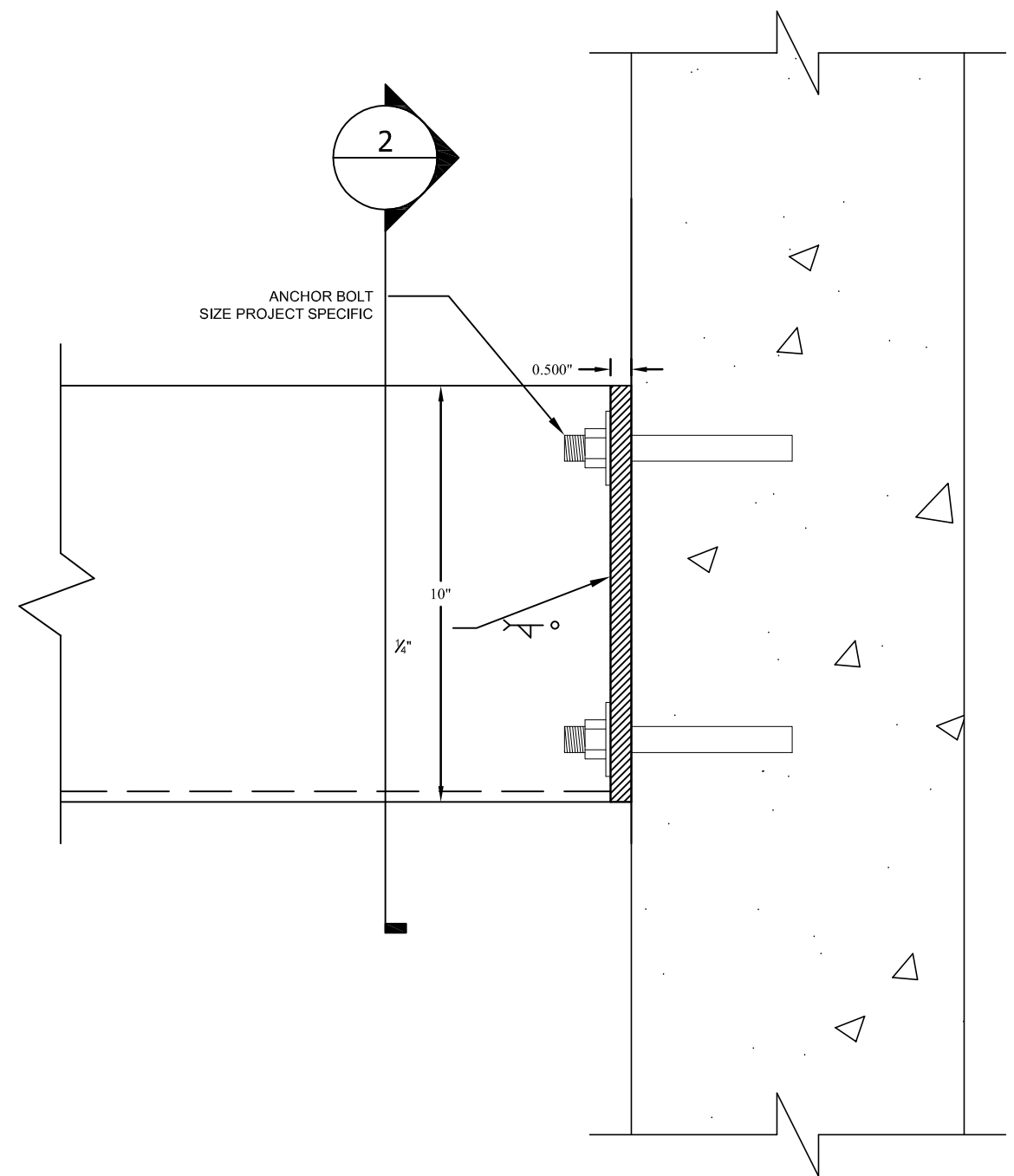


1 WALL PLATE WITH EXPOSED BOLTS
Scale: 1:1



2 WALL PLATE WITH BOLTS CONCEALED
Scale: 1:1



3 WALL PLATE SECTION
Scale: 1:1

DRAWN BY: Arnold Parker		DATE: 01/05/2009
SCALE: 3"=1'	JOB No.: 0000	REV:
TITLE: Wall Connection		SHEET: 1

ALUMINUM TECHNIQUES, INC.
Quality Aluminum Fabricators Since 1982
13302 Redfish Lane
Stafford, TX 77477
(281) 499-9026